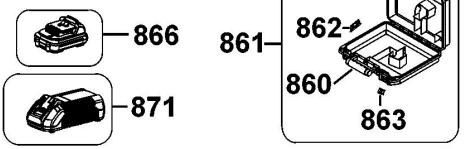
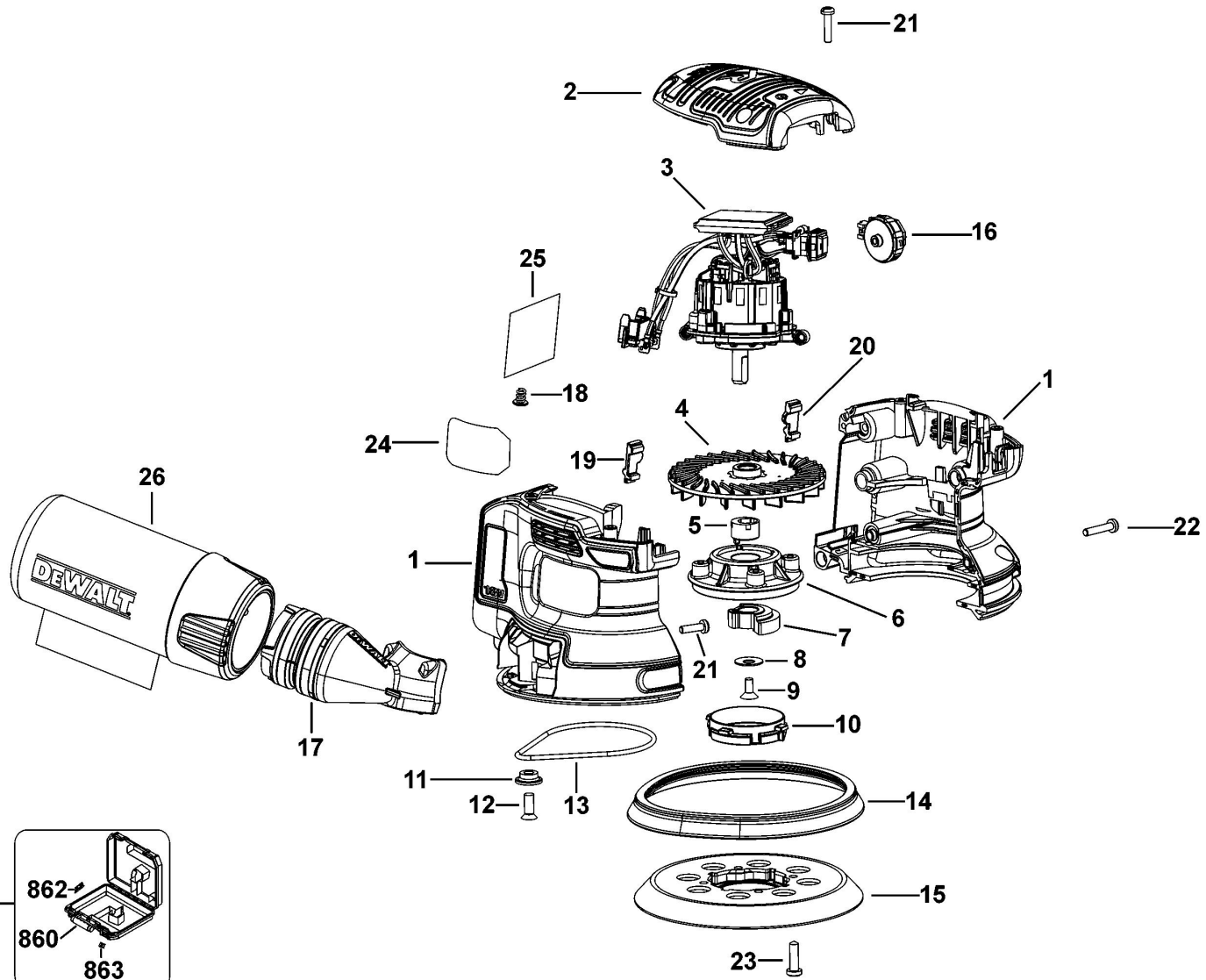


# DCW210 RANDOM ORBIT SANDER 1



## Parts List DCW210 RANDOM ORBIT SANDER 1

| Item | Part Number | Qty | Part Description           | General Description  | Other Info | Repair Inst | Markets |
|------|-------------|-----|----------------------------|----------------------|------------|-------------|---------|
| 1    | N688078     | 1   | CLAMSHELL SET              |                      |            | No          | QW      |
| 2    | N598780     | 1   | COVER-TOP                  |                      |            | No          | QW      |
| 3    | NA068305    | 1   | MOTOR & SWITCH SA          |                      |            | No          | QW      |
| 4    | N541864     | 1   | FAN                        |                      |            | No          | QW      |
| 5    | N395442     | 1   | ECCENTRIC                  |                      |            | No          | QW      |
| 6    | N329082     | 1   | BEARING HOUSING            |                      |            | No          | QW      |
| 7    | N399756     | 1   | COUNTERWEIGHT              |                      |            | No          | QW      |
| 8    | N345099     | 1   | WASHER                     |                      |            | No          | QW      |
| 9    | 098012-11   | 1   | SCREW                      |                      |            | No          | QW      |
| 10   | N329083     | 1   | END CAP                    |                      |            | No          | QW      |
| 11   | N544253     | 1   | PULLEY                     |                      |            | No          | QW      |
| 12   | N403401     | 1   | SCREW                      |                      |            | No          | QW      |
| 13   | N430442     | 1   | BELT                       |                      |            | No          | QW      |
| 14   | N371139     | 1   | SKIRT                      |                      |            | No          | QW      |
| 15   | N329079     | 1   | PAD SA                     |                      |            | No          | QW      |
| 16   | N581601     | 1   | SPEED REGULATOR            |                      |            | No          | QW      |
| 17   | N680920     | 1   | DUST PORT                  |                      |            | No          | QW      |
| 18   | N453948     | 1   | SPRING                     |                      |            | No          | QW      |
| 19   | N239159     | 1   | BUMPER                     |                      |            | No          | QW      |
| 20   | N239160     | 1   | BUMPER                     |                      |            | No          | QW      |
| 21   | 330019-03   | 6   | SCREW                      |                      |            | No          | QW      |
| 22   | 90611830    | 6   | SCREW                      |                      |            | No          | QW      |
| 23   | 330019-13   | 4   | SCREW                      | M4X19 T20            |            | No          | QW      |
| 24   | N685865     | 1   | RATING PLATE               |                      |            | No          | QW      |
| 25   | N636564     | 1   | LABEL                      |                      |            | No          | QW      |
| 26   | N273733     | 1   | DUST BAG SA                |                      |            | No          | QW      |
| 860  | H1400196008 | 1   | HANDLE                     |                      | DCW210P2   | No          | QW      |
| 861  | N279261     | 1   | KITBOX                     | DWST1-17807          | DCW210P2   | No          | QW      |
| 862  | N409477     | 1   | LATCH                      |                      |            | No          | QW      |
| 863  | P910190     | 2   | LATCH                      |                      | DCW210P2   | No          | QW      |
| 866  | N394624     | 1   | BATTERY 18V - 5.0AH - 90WH |                      | DCW210P2   | No          | QW      |
| 871  | N450536     | 1   | CHARGER SA                 | DCS565P2-QW / DCB115 | DCW210P2   | No          | QW      |